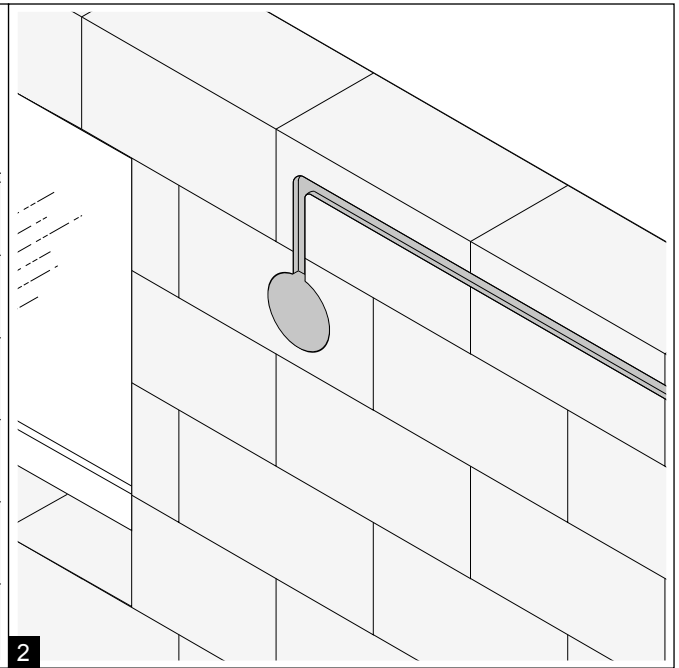
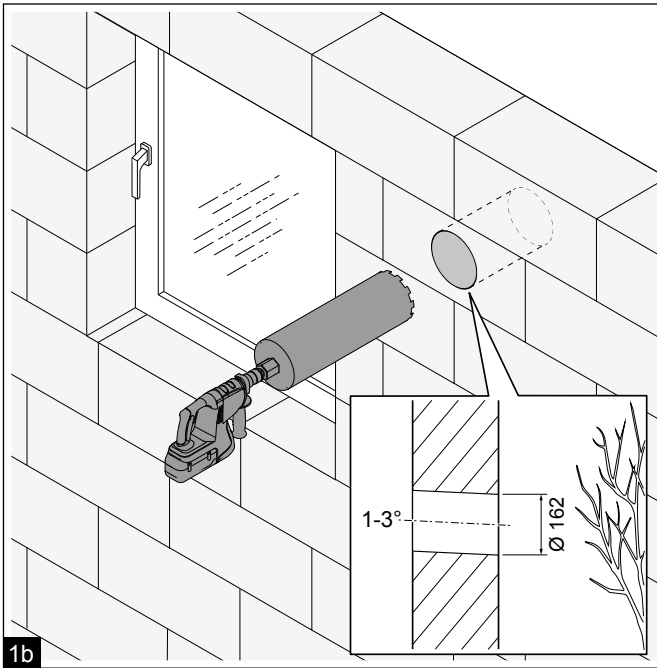
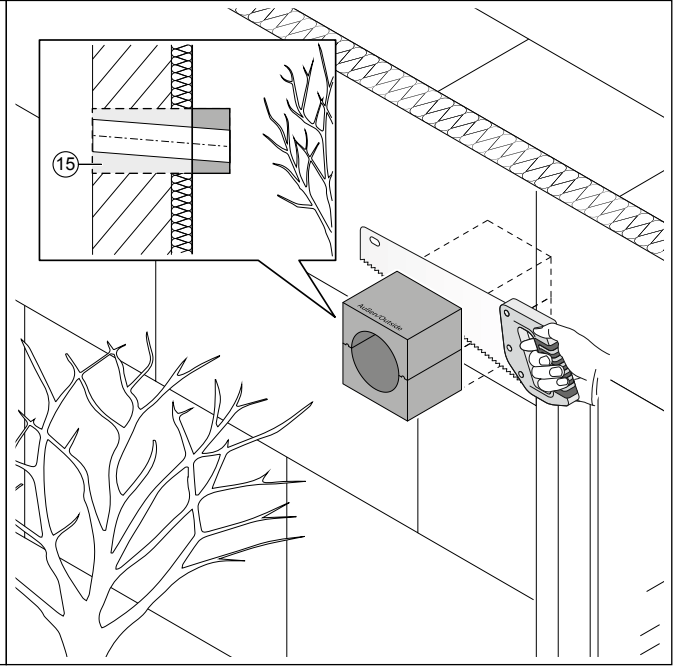
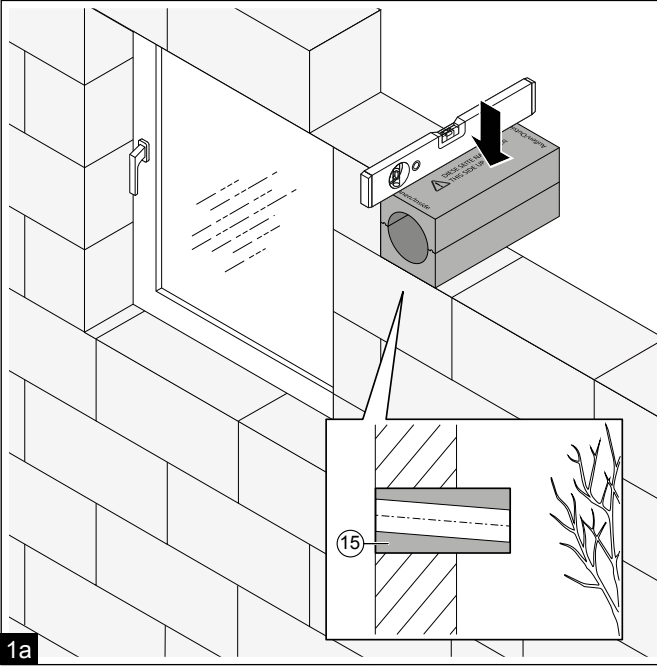
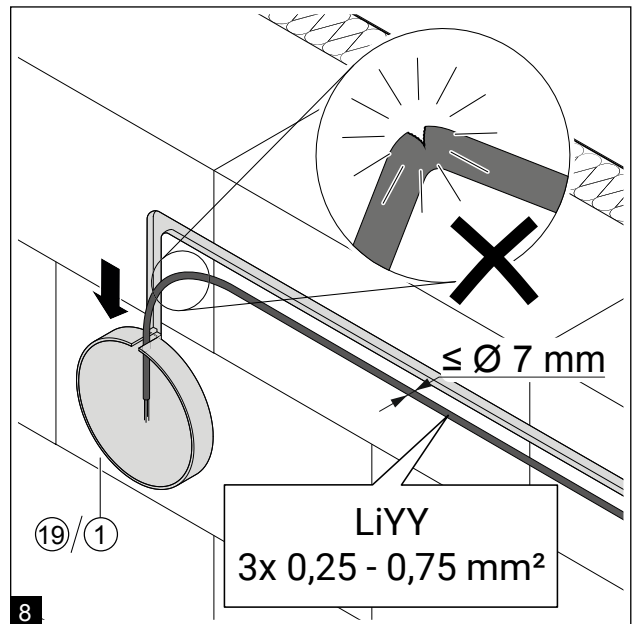
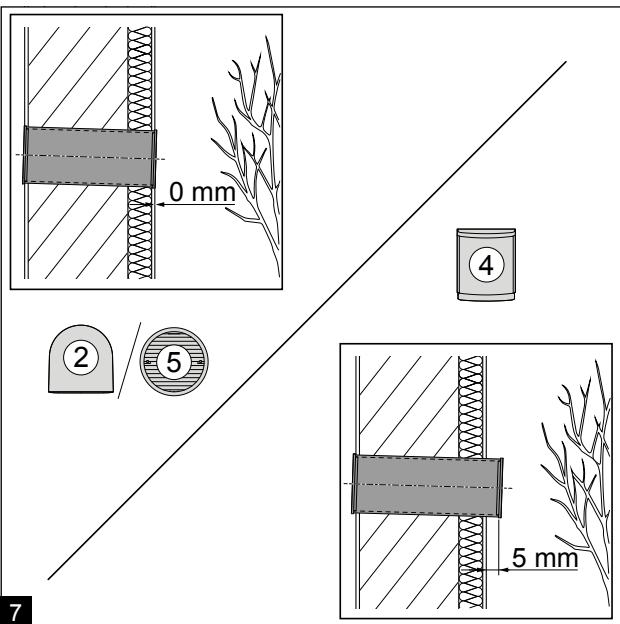
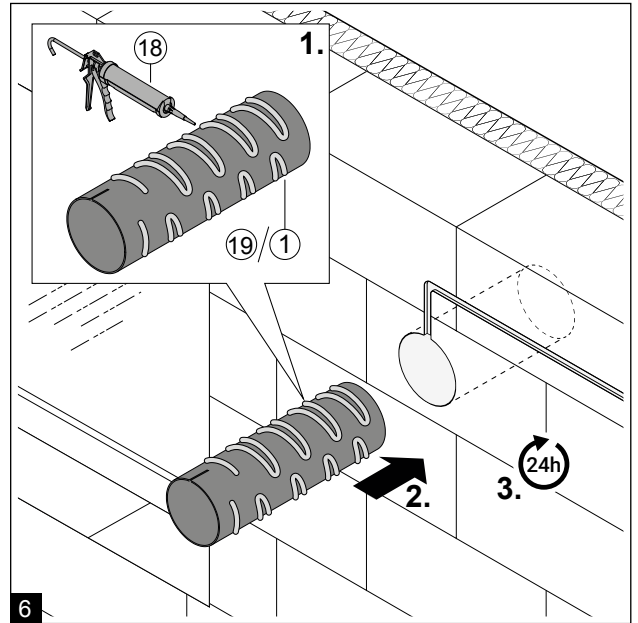
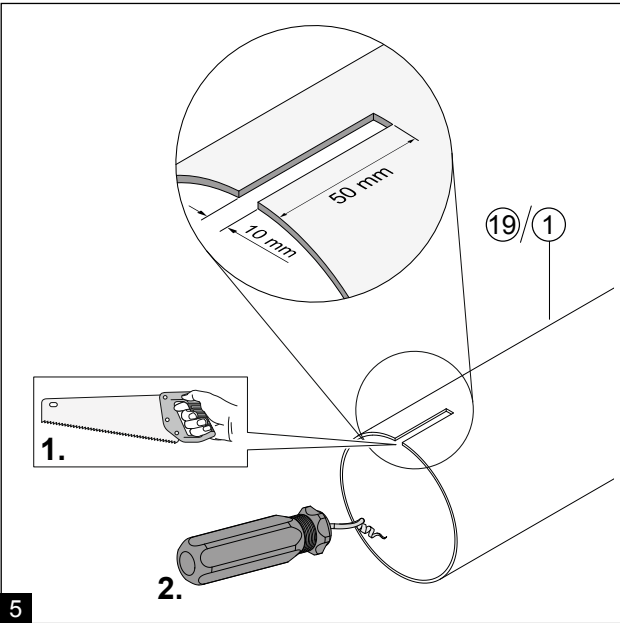
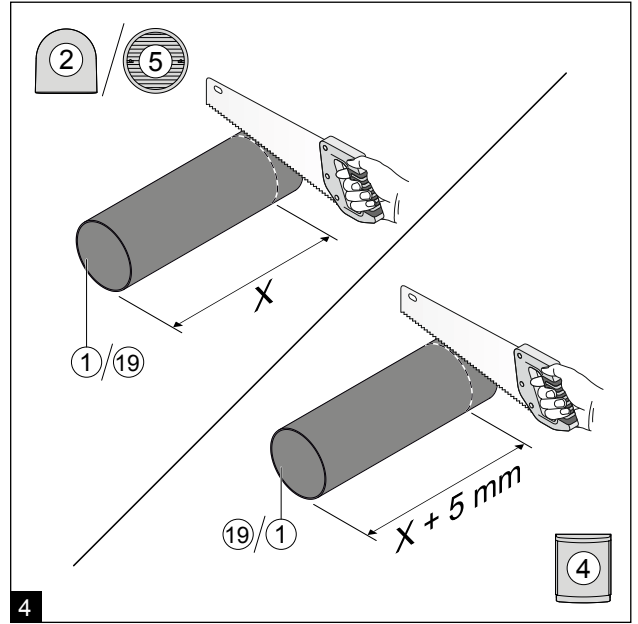
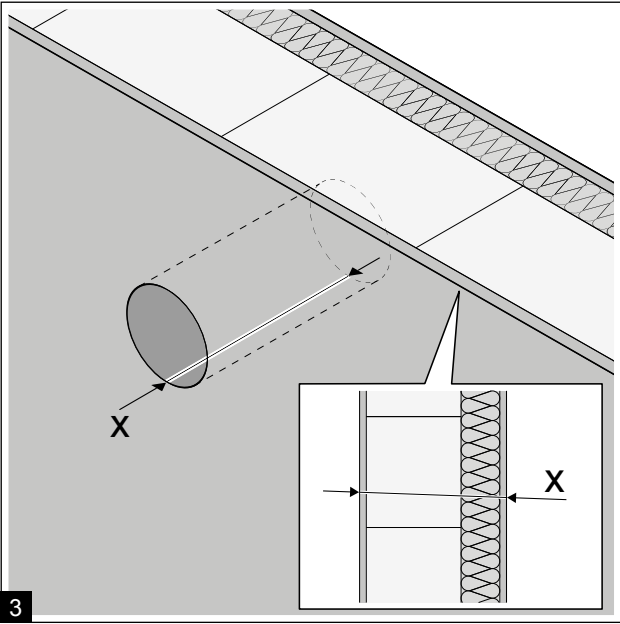
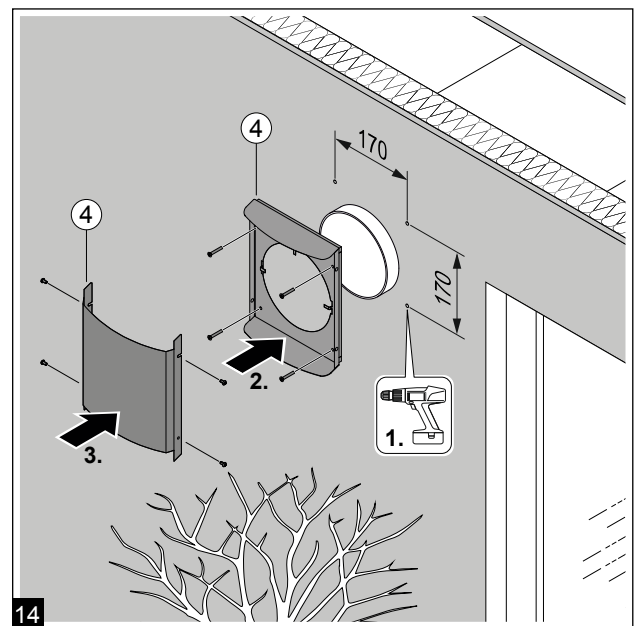
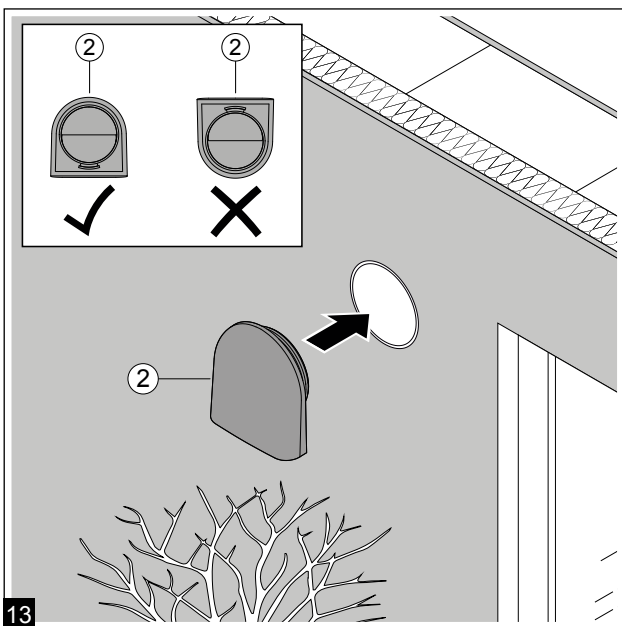
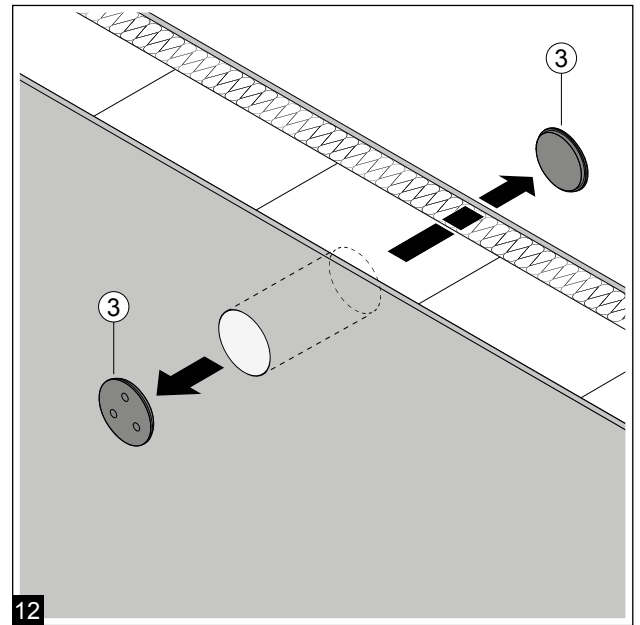
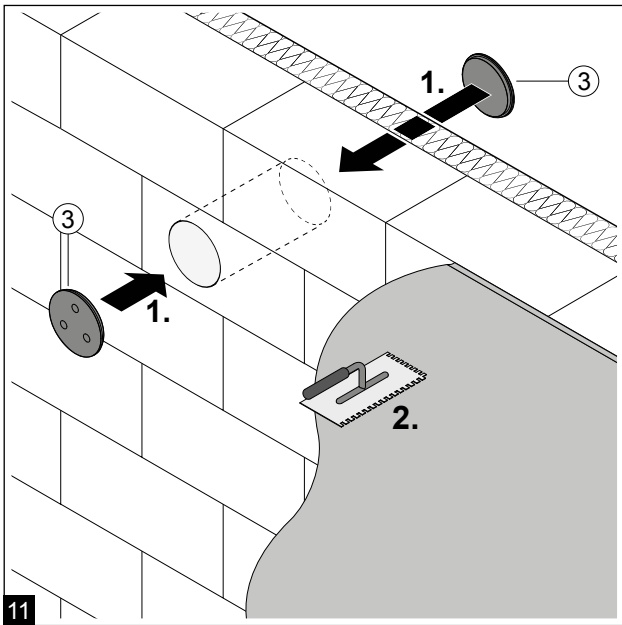
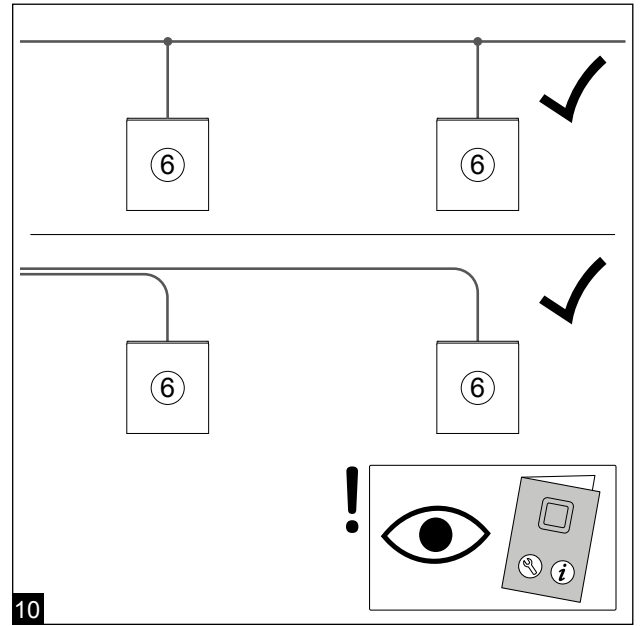
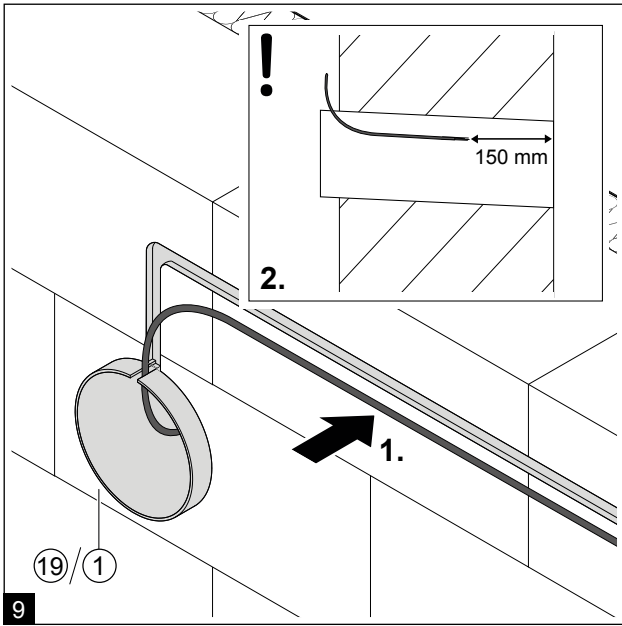


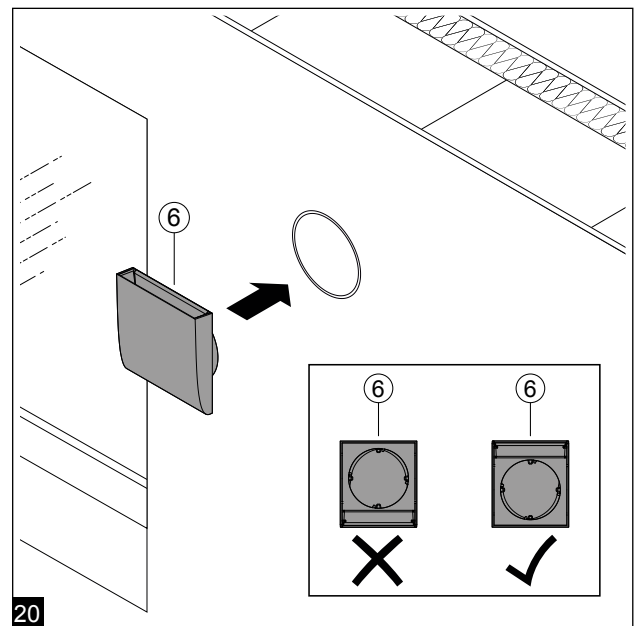
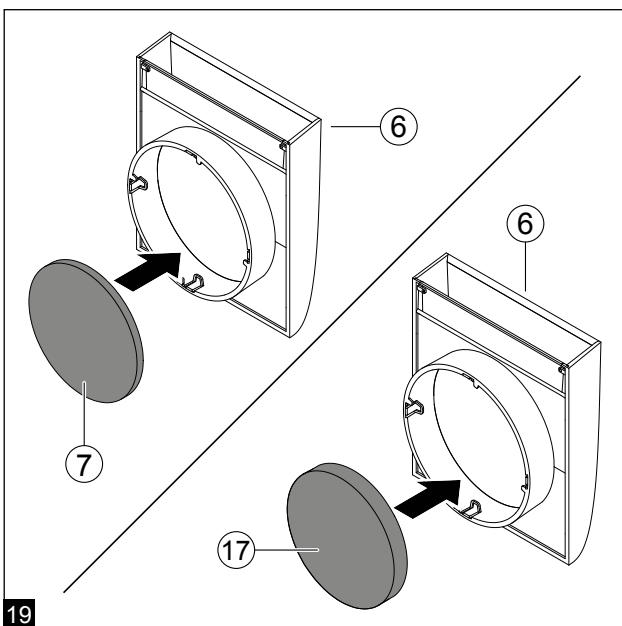
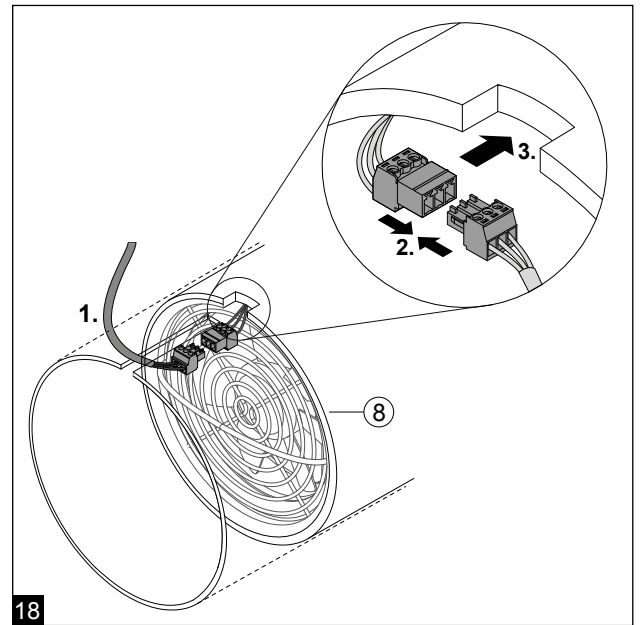
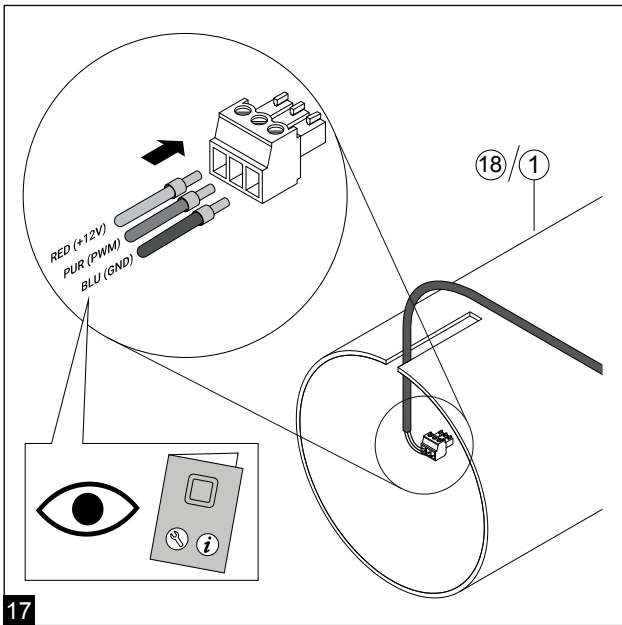
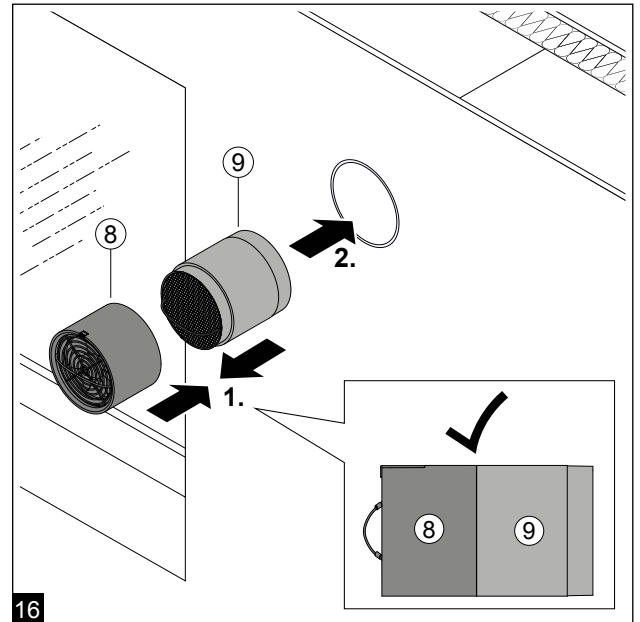
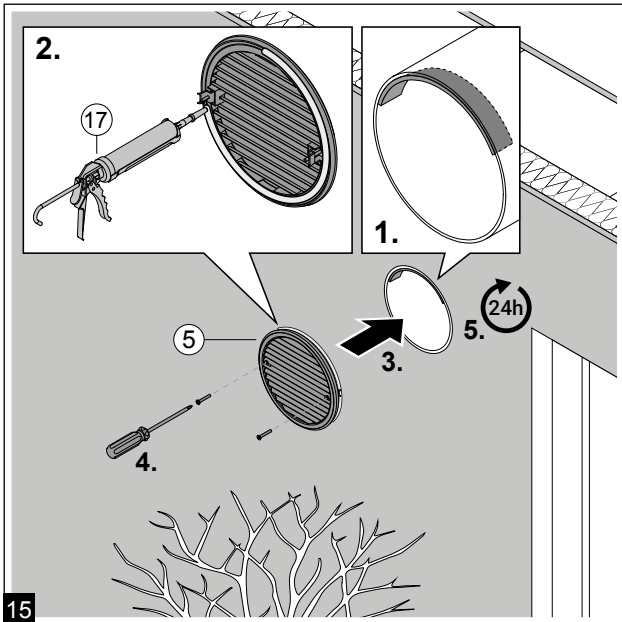


# A/B/C + D/E/F













# A/B/C + G/H/I

